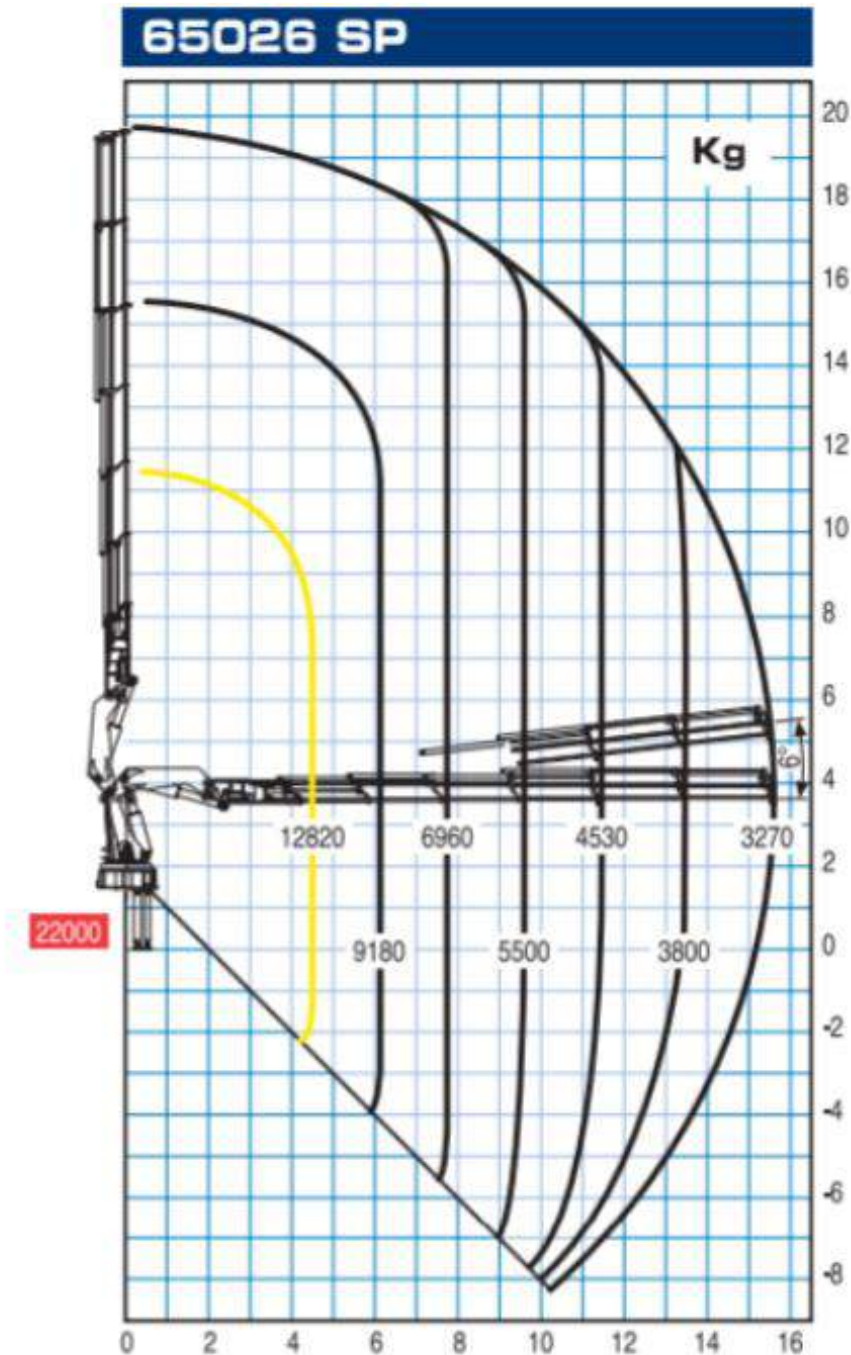




Vehicle:	V900
Body:	8 Wheel 32t
Payload:	9.5 tonne
Bed length:	7.2 – 9.2 meter
Crane:	65 tonne per meter
Side edge protection:	Yes
Wagon and Drag:	Yes
FORS:	Gold accredited
Euro 6 / ULEZ / DVS:	No
Notes:	Has a fly Jib for extra reach

Duty Chart



Duty Chart with FLY JIB

