



Vehicle: T900

Body: 8 Wheel | 32t

Payload: 10 tonne

Bed length: 7.2 meter

Crane: 65 tonne per meter

Side edge protection: Yes

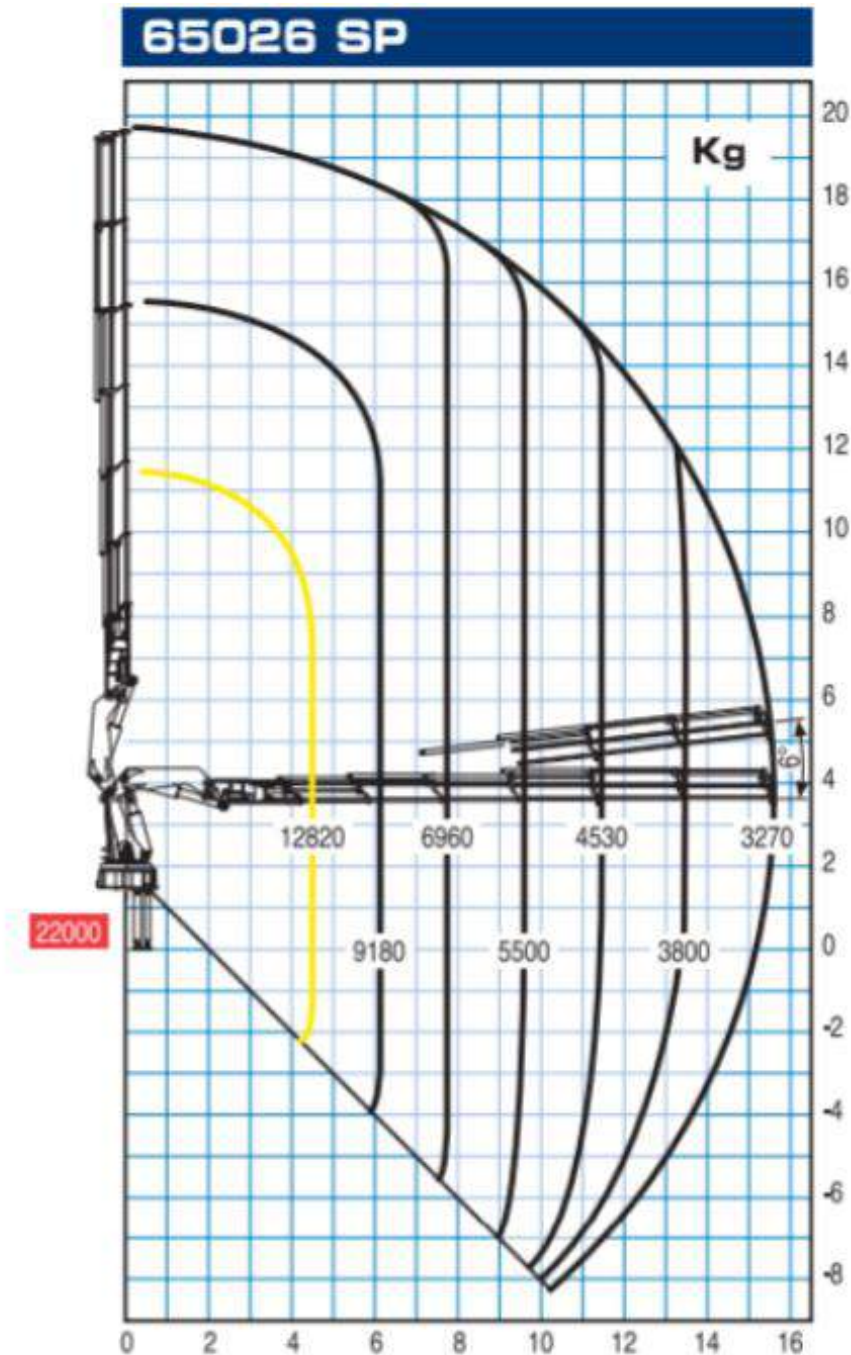
Wagon and Drag: Yes

FORS: Gold accredited

Euro 6 / ULEZ / DVS: No

Notes:
Has a fly Jib for extra reach

Duty Chart



Duty Chart with FLY JIB

